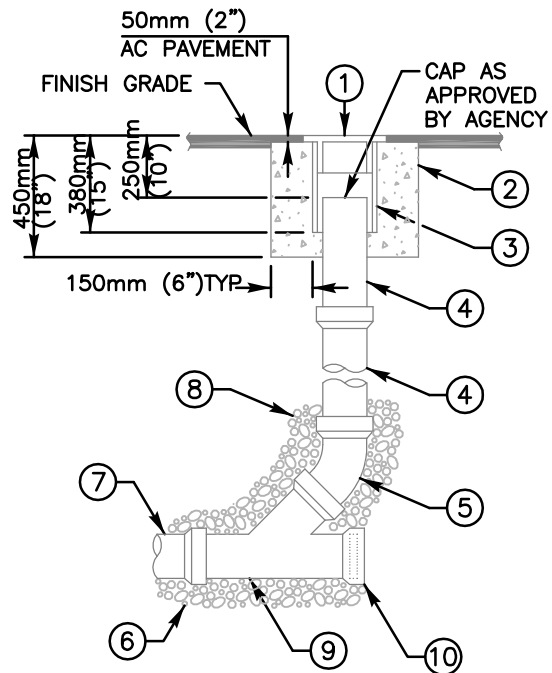


**TYPE A**  
MAINS FOR 150mm (6")  
AND 200mm (8")



**TYPE B**  
SEWER LATERAL  
CLEANOUT

**NOTES:**

- 1) REFER TO AGENCY SPECIFICATIONS WHERE APPLICABLE
- 2) CLEANOUTS TO BE INSTALLED AT THE END OF MAINS WHERE INDICATED ON THE PLANS
- 3) CLEANOUT PIPE TO BE SAME SIZE AND MATERIAL AS SEWER MAIN UP TO 200mm (8")
- 4) BACKFILL TO TOP OF 45° BEND WITH 19mm (3/4") CRUSHED ROCK
- 5) MATERIALS SHALL BE SELECTED FROM THE AGENCY'S APPROVED MATERIALS LIST

— ○ —  
LEGEND ON PLANS

ITEM NO	SIZE AND DESCRIPTION	ITEM NO	SIZE AND DESCRIPTION
①	300mm (12") CI CLEANOUT BOX COVER MARKED 'SEWER' AND AGENCY NAME AS REQUIRED	⑤	45° ELBOW
②	CONCRETE RING	⑥	19mm (3/4") CRUSHED ROCK PIPE BEDDING
③	300mm (12") PVC, C-900 x 380mm (15") LONG (CLEANOUT BOX)	⑦	SEWER MAIN
④	SIZE x REQUIRED LENGTH PVC PIPE	⑧	19mm (3/4") CRUSHED ROCK SEE NOTE 4
		⑨	STANDARD WYE BRANCH
		⑩	INSTALL PLUG AND CONCRETE LUG

Revision	By	Approved	Date
ORIGINAL		Kercheval	12/75
Add Metric		T. Stanton	03/03
Replaced S-03		J. Tomasulo	03/05

SAN DIEGO REGIONAL STANDARD DRAWING

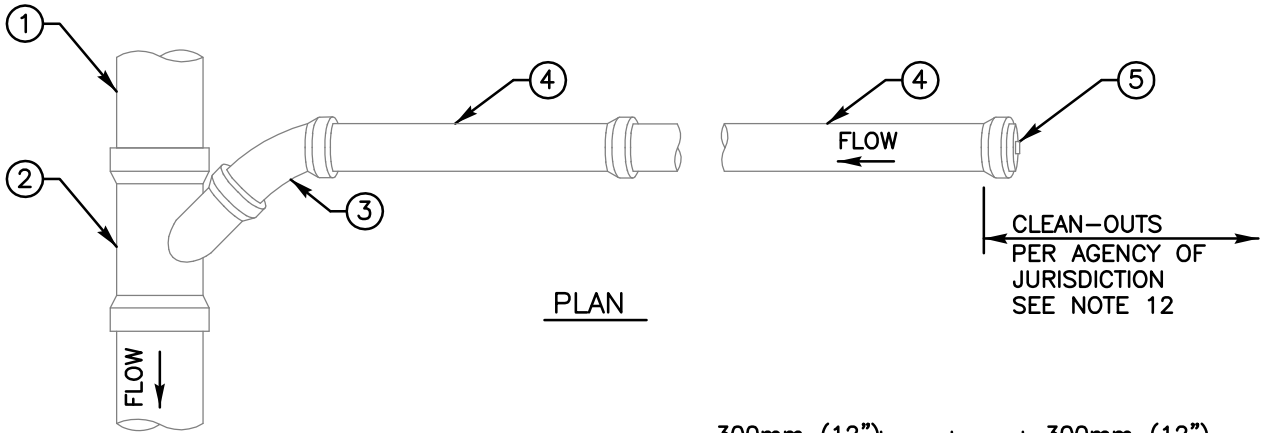
SEWER CLEANOUT

RECOMMENDED BY THE SAN DIEGO REGIONAL STANDARDS COMMITTEE

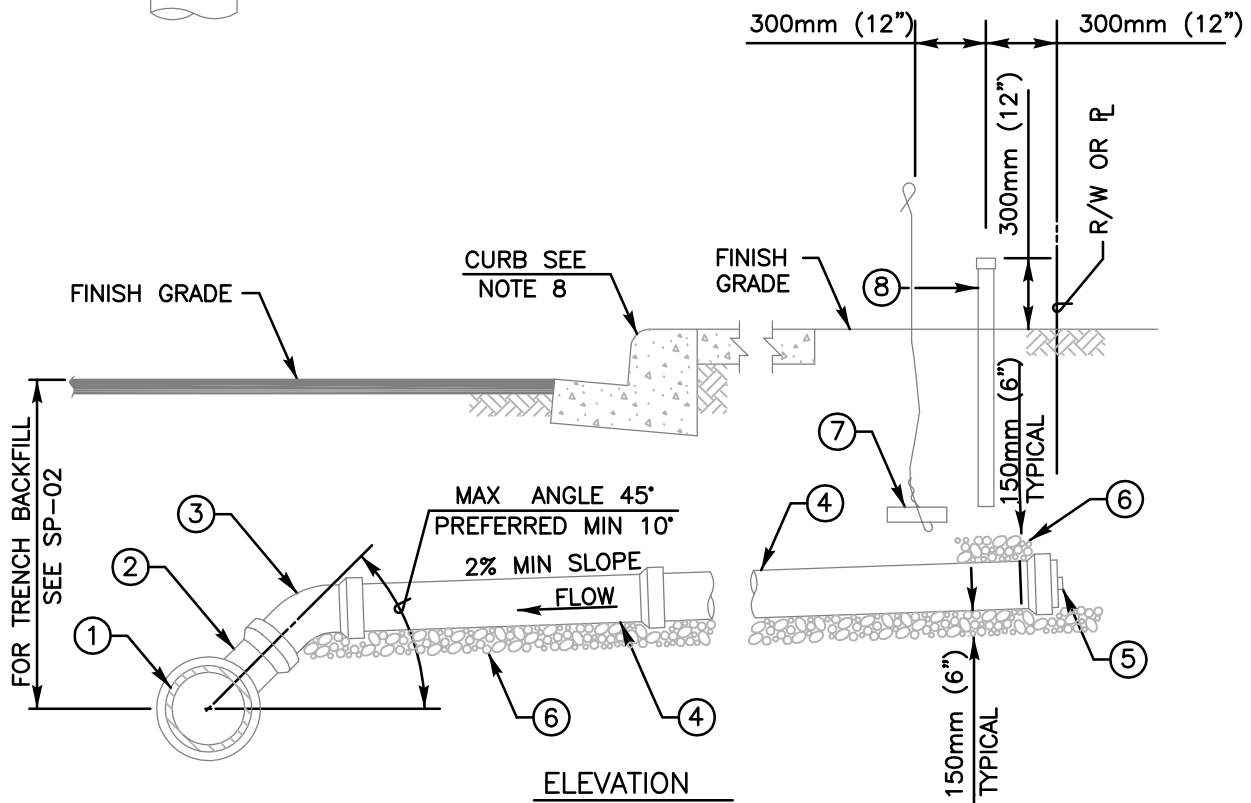
*T. Stanton* 03/24/2005

Chairperson R.C.E. 19246 Date

DRAWING NUMBER SC-01



PLAN



ELEVATION

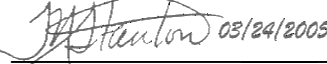
(INDICATE SIZE)

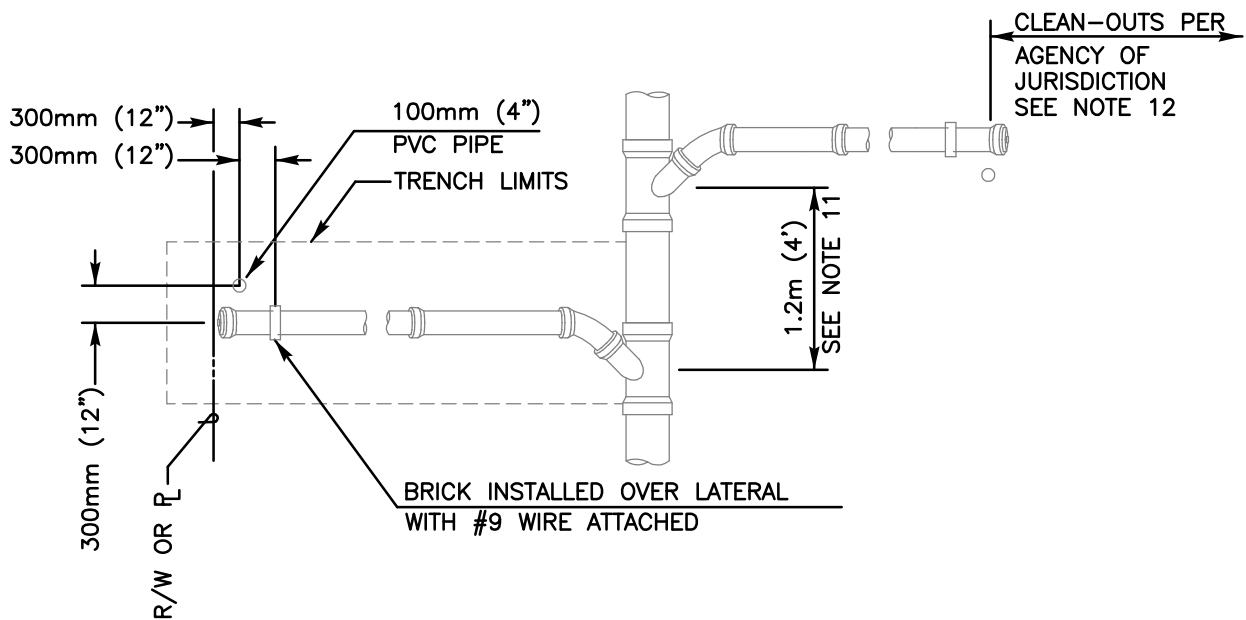


LEGEND ON PLANS

FOR SEWER LATERAL NOTES SEE DETAIL SS-03

ITEM NO	SIZE AND DESCRIPTION	ITEM NO	SIZE AND DESCRIPTION
①	SEWER MAIN	⑤	PLUG OR CAP
②	45° WYE	⑥	19mm (3/4") MAXIMUM CRUSHED ROCK
③	45° ELBOW	⑦	#9 WIRE ATTACHED TO A BRICK
④	PIPE LATERAL SEE NOTE 3 & 5	⑧	100mm (4") PVC PIPE WITH GLUED CAP

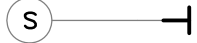
Revision	By	Approved	Date	SAN DIEGO REGIONAL STANDARD DRAWING	RECOMMENDED BY THE SAN DIEGO REGIONAL STANDARDS COMMITTEE
ORIGINAL		Kercheval	12/75		
Add Metric		T. Stanton	03/03	100mm (4") AND 150mm (6") SEWER LATERAL INSTALLATION	 03/24/2005 Chairperson R.C.E. 19246 Date
Replaced S-13		J. Tomasulo	03/05		
					DRAWING NUMBER SS-01

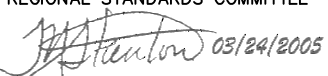


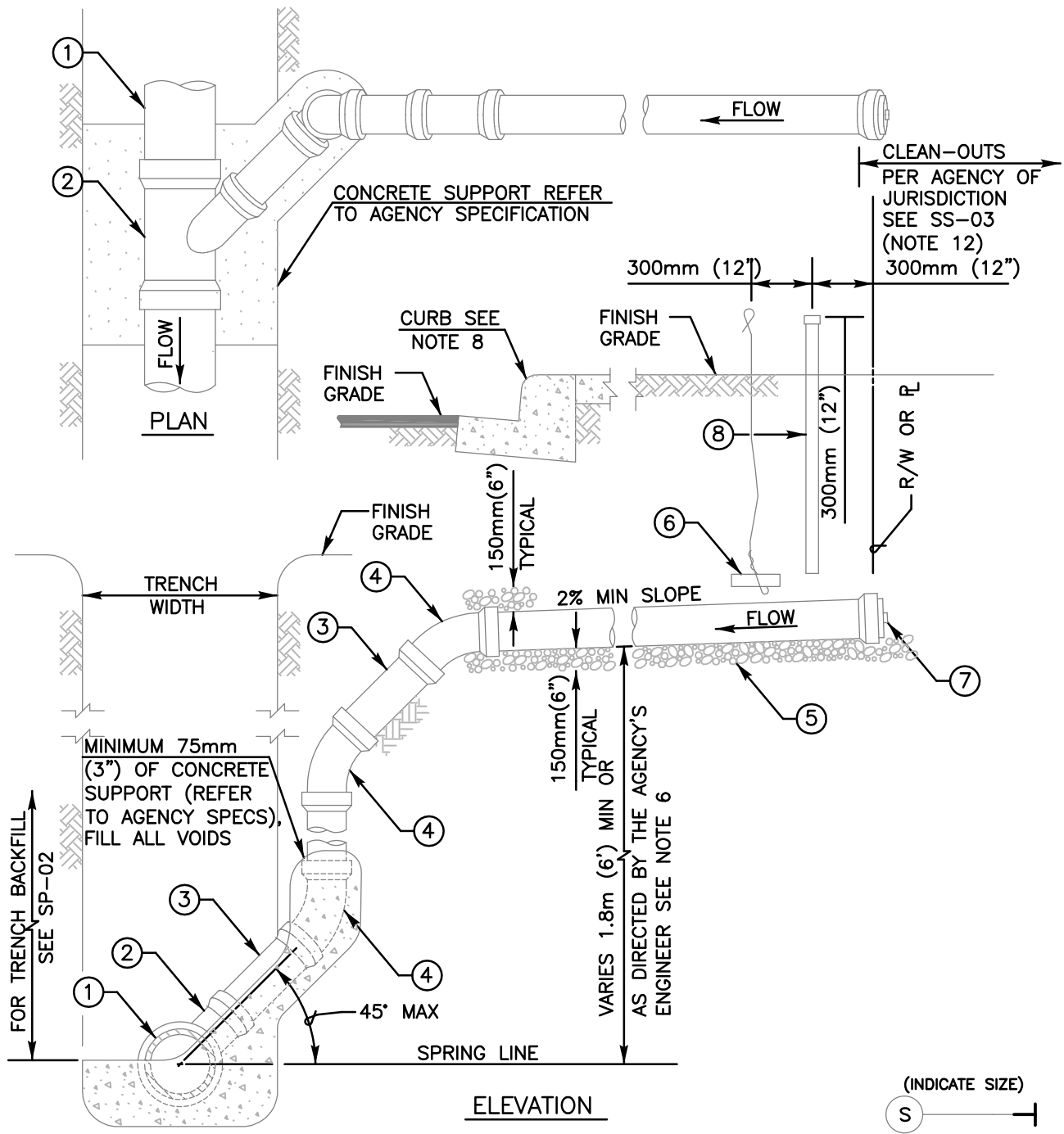
SEWER LATERAL DETAIL  
SEE NOTE 10 BELOW

NOTES:

- 1) REFER TO AGENCY SPECIFICATIONS WHERE APPLICABLE
- 2) IN NO CASE SHALL LATERAL CONNECT DIRECTLY ON TOP OF SEWER MAIN
- 3) LATERAL SHALL BE INSTALLED TO PROPERTY LINE UNLESS SPECIFIED ON PLANS
- 4) MINIMUM 1.2m (4') COVER ABOVE LATERAL AT PROPERTY LINE
- 5) LATERAL TO HAVE A MINIMUM SLOPE OF 2%
- 6) VERTICAL PIPE SHALL BE BRACED WHILE BACKFILLING TRENCH
- 7) INSTALL WARNING/IDENTIFICATION TAPE AS SHOWN ON SP-01
- 8) STAMP OR CHISEL A 50mm (2") HIGH "S" IN CURB FACE OVER LATERAL TO IDENTIFY SEWER LATERAL LOCATION
- 9) MATERIALS SHALL BE SELECTED FROM THE AGENCY'S APPROVED MATERIALS LIST
- 10) FOR SEWER LATERAL INSTALLATIONS SEE SS-01 AND SS-02
- 11) FOR SEWERS SPECIFIED AS PVC PIPE, A MINIMUM 0.9m (3') SECTION OF PIPE IS REQUIRED BETWEEN FITTINGS
- 12) SEWER CLEAN-OUT SEE SC-01 TYPE B AS REQUIRED BY AGENCY OF JURISDICTION

(INDICATE SIZE)  
  
 LEGEND ON PLANS

Revision	By	Approved	Date	SAN DIEGO REGIONAL STANDARD DRAWING	
ORIGINAL		Kercheval	12/75	RECOMMENDED BY THE SAN DIEGO REGIONAL STANDARDS COMMITTEE  03/24/2005 Chairperson R.C.E. 19246 Date	
Add Metric		T. Stanton	03/03		
Replaced S-13		J. Tomasulo	03/05		
				SEWER LATERAL NOTES AND DETAIL	
				DRAWING NUMBER	SS-03



FOR SEWER LATERAL NOTES SEE DETAIL SS-03

(INDICATE SIZE)  
 S ———— |  
 LEGEND ON PLANS

ITEM NO	SIZE AND DESCRIPTION	ITEM NO	SIZE AND DESCRIPTION
①	SEWER MAIN	⑤	19mm (3/4") MAXIMUM CRUSHED ROCK
②	45° WYE	⑥	#9 WIRE ATTACHED TO A BRICK
③	PIPE	⑦	PLUG OR CAP
④	45° ELBOW	⑧	100mm (4") PVC PIPE WITH GLUED CAP

Revision	By	Approved	Date
ORIGINAL		Kercheval	12/75
Add Metric		T. Stanton	03/03
Replaced S-13		J. Tomasulo	03/05

SAN DIEGO REGIONAL STANDARD DRAWING

100mm (4") AND 150mm (6")  
 DEEP-CUT SEWER LATERAL INSTALLATION

RECOMMENDED BY THE SAN DIEGO REGIONAL STANDARDS COMMITTEE

*T. Stanton* 03/24/2005  
 Chairperson R.C.E. 19246 Date

DRAWING NUMBER SS-02